

■ Load cell DEE for 100kg~500kg

Description	Features	Applications
-------------	----------	--------------

High precision, easy installation, dual-use with tension and compression, optional different accessories.

- Rated load: 100~500kg
- Easy installation
- Made of high quality alloy steel
- Use for tension/compression

- Hooper scale
- Belt scale
- Blending system

Specifications
----------------

PARAMETER	VALUE	UNIT
Rated capacity(Emax)	100,200,250,300,500	kg
Accuracy class <sup>1)</sup>	C3	
Max. no. of verification intervals	3000	
Minimum load cell verification interval	Emax/8000	
Rated output	2 ± 0.003	mV/V
Zero balance	3%	± %FSO
Repeatability error	0.0166	± %FSO
Non-linearity <sup>2)</sup>	0.0166	± %FSO
Hysteresis error <sup>2)</sup>	0.0166	± %FSO
Creep (30 minutes)	0.0166	± %FSO
Temp. effect on min. dead load output	0.0175	± %FSO/10°C
Temperature effect on sensitivity <sup>2)</sup>	0.0117	± %FSO/10°C
Maximum safe over load	120	%Emax
Ultimate over load	150	%Emax
Excitation voltage	10~12	V
Maximum excitation voltage	15	V
Input resistance	400 ± 20	Ω
Output resistance	352 ± 3	Ω
Insulation resistance @ 50 VDC	≥5000	MΩ
Compensated temperature range	-10 to 40	°C
Operating temperature range	-30 to 70	°C
Material	Alloy Steel	
Sealing	Potted	
Protection class	IP66	

© FSO - Full Scale Output

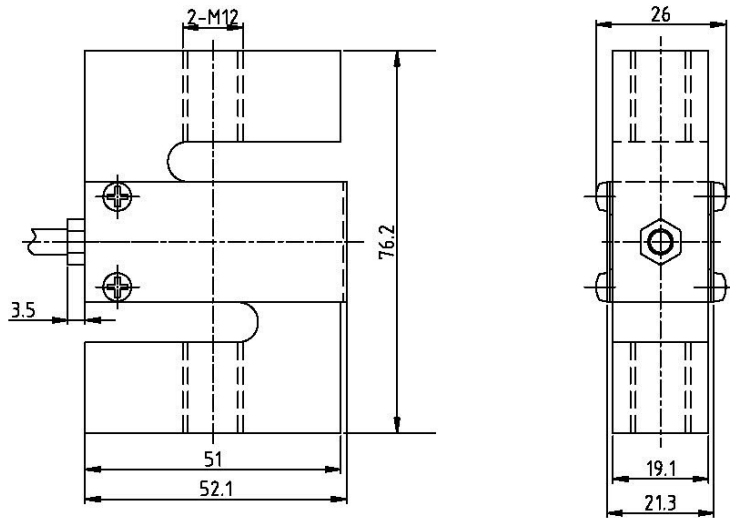
© The value of linearity, hysteresis and temperature effect on sensitivity may differ in particular case.

**Notes:**

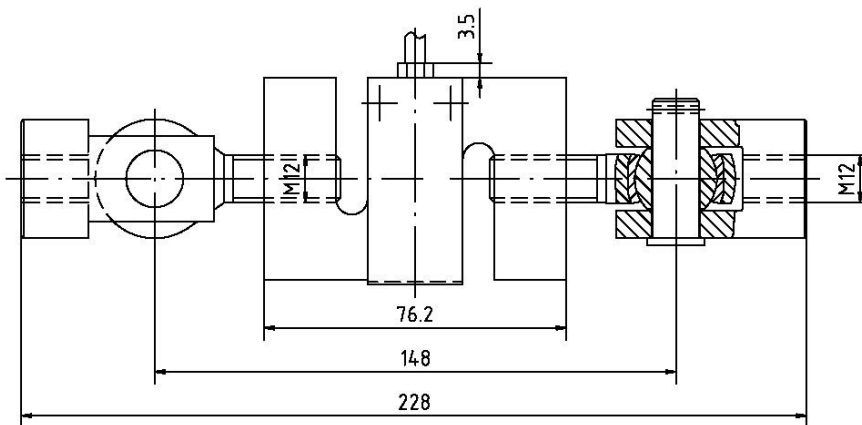
<sup>1)</sup> According to OIML R60 with P<sub>10</sub> = 0.7

<sup>2)</sup> The sum of data for Non-linearity, Hysteresis and Span TC meets the requirements of OIML R60.

## Outline dimensions



## Tension type accessory



## Cable assignment of the load cell

### Cable

4-wires(PVC or polyurethane)

cable length: 5m

cable diameter:  $\phi$  5mm



## Other

Product weight without package (reference): Units:kg

Model	100~500kg	Accessory	100~200kg	250~500kg
Weight	0.6		0.25	0.7

Optional accessories:tension type accessory(Clevis,Universal joint)